

TPU Scraper

The efficient belt cleaning tool



For excellent hygiene and food safety

Belt scrapers are an essential component on the production line in many sectors of the food processing industry. They are used to remove sticky parts of the transported goods from the belt. This prevents spillage and material accumulation on the return roller that could potentially lead to bacterial growth and food contamination.

While belt scrapers must be efficient, they must also avoid scratching or damaging the belt surface, which could decrease belt lifetime.

If belt cleaning is not properly performed, material leaks at transfer points can lead to the accumulation of extra material on the roller drums, causing tracking problems and damage to belt edges.

TPU Scraper

The efficient belt cleaning tool

Key advantages of using the Habasit TPU belt scraper

- Superior cleaning effectiveness even when used with liquids (oil, water, detergent, etc.), ensuring increased hygiene and food safety
- Extended belt lifetimes, leading to lower maintenance costs and reduced downtime
- X-ray and metal detectable version for additional food safety procedures
- Food approval from both the EU and FDA
- Suitable for all types of fabric and monolithic belts

TPU belt scrapers vs. classic scrapers

Classic scrapers are usually made of metal or hard plastic. A TPU scraper offers the advantage of a flexible tip:

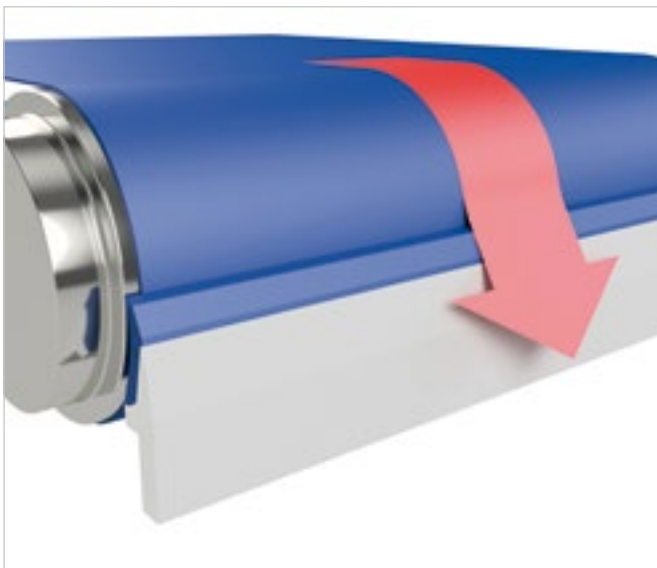
No risk of damaging the belt surface

- When spillage builds up on the running side of the belt, the roller increases in diameter. This pushes the belt against the primary scraper, which if made of metal or hard plastic, can damage the belt surface. A TPU tip is flexible and adapts easily to belt irregularities.

More efficient cleaning

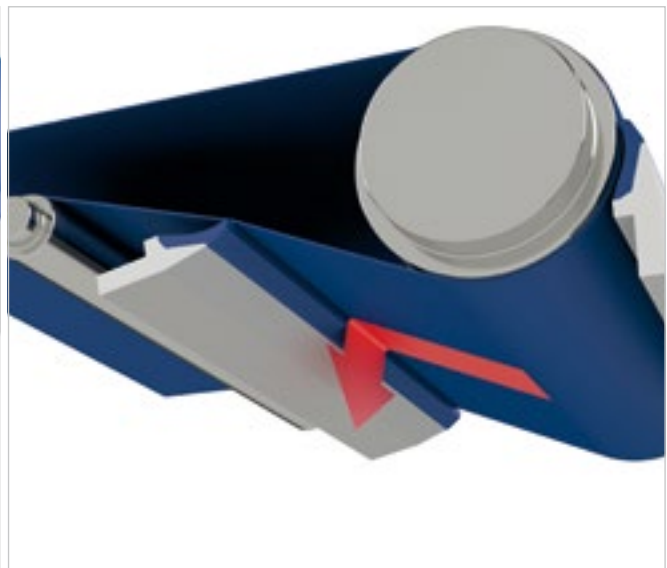
- Even when a classic scraper is mounted on a flexible rig, allowing belt irregularities to push the scraping bar away from the roller, the hard tip cannot accommodate this asymmetry, which results in uneven cleaning. A TPU scraping tip matches the belt surface in all cases, resulting in more efficient cleaning.

Possible positions for the belt scraper



Primary scraper

When the material transported is made of coarse, sticky, or wet particles, the primary scraper is placed against the drive pulley immediately after the discharge flow. The vertical position depends on the belt speed and the size of the goods.



Secondary scraper

A secondary scraper can be installed along with the primary scraper if more thorough cleaning is required. It can also be installed alone if the transported material is dry and fine. Usually mounted after the drive pulley, in this configuration the scraper pushes directly against the belt to increase cleaning efficiency.

TPU Scraper

The efficient belt cleaning tool

Product characteristics

Details	Body		Tip		Options
Product code	Body compound	Body hardness	Tip compound	Tip hardness	X-ray and metal detectable
E-BS38-HC	TPU Polyether	95 ShA	TPU Polyether	87 ShA	
E-BS38-JC	TPU Polyether	95 ShA	TPU Polyether	95 ShA	
E-BS38-HC+M	TPU Polyether	95 ShA	TPU Polyether	87 ShA	•
E-BS38-JC+M	TPU Polyether	95 ShA	TPU Polyether	95 ShA	•
E-BS38-FC	TPU Polyester	92 ShA	TPU Polyester	85 ShA	
E-BS38-YC	TPU Polyester	92 ShA	TPU Polyester	92 ShA	
E-BS38-FC+M	TPU Polyester	92 ShA	TPU Polyester	85 ShA	•
E-BS38-YC+M	TPU Polyester	92 ShA	TPU Polyester	92 ShA	•

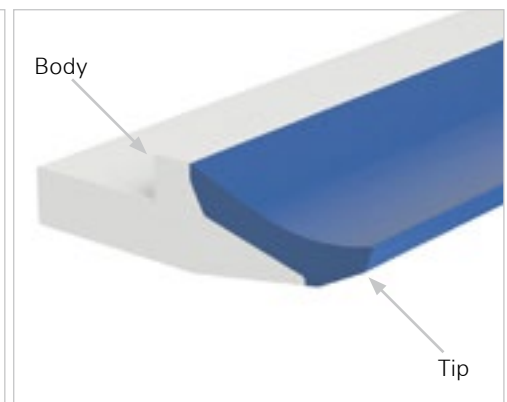
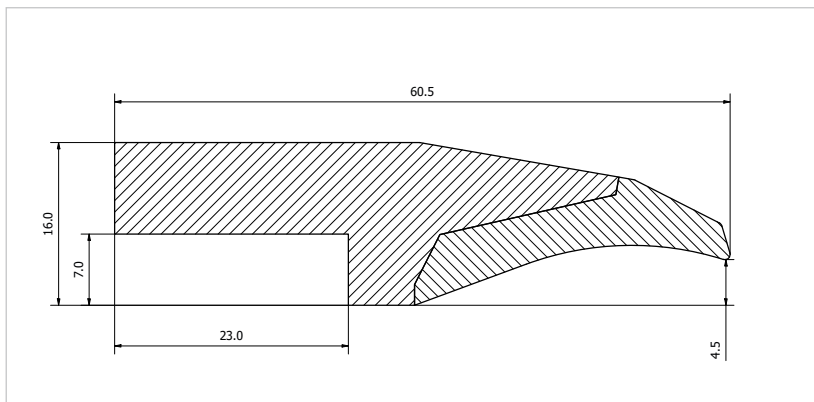
Color of body: White

Color of tip: Cobalt Blue

The Habasit TPU belt scraper complies with the following regulations: (EC) No 1935/2004, (EC) No 2023/2006, (EU) No 10/2011, (EC) No 1333/2008 (food additives), (EC) No 1334/2008 (flavourings) and FDA.

TPU belt scraper dimensions

Belt scrapers come in a standard 2.4 m length, which can be cut as required.



Technical consultancy

For specific or non-standard applications, please contact your Habasit specialist for advice and assistance with selecting the most suitable belt scraper solution.

Solutions in motion



Comprehensive consulting and technical support

Profit from the best consulting and technical support in the lightweight belting industry. Local experts are always available to assist you with your belting needs. The Habasit team is proud to provide the highest level of support, together with top-quality products that have led the global market for decades.



Belt selection and calculation assistance

We are always glad to help you select the most suitable belt for any application for your convenience. We now also provide the free online tool 'SeleCalc' that allows you to easily make selections and calculations yourself. Simply register online at selecalc.habasit.com.



Fabrication, assembly and local installation services

As a full-service belting provider, we offer joining and assembly services either at our own locations or directly on your equipment.



Habasit has over 30 affiliates worldwide, each with its own inventory, fabrication, assembly and service facilities.

Together with representative offices and numerous qualified distributors, we can react quickly and efficiently to meet all your needs.



Customer training programs

To ensure the optimal performance and maximum lifespan of all our products, we offer training programs and various support tools. This includes proper procedures for fabrication, installation, assembly, maintenance and belt repair, all of which take place at a Habasit site or at your location.



Belt monitoring, inspections, analyses and process optimization proposals

We organize and handle belt maintenance, inspections, analyses and surveys at customers' sites. Upon request, we are ready to develop optimization proposals to ensure you're getting maximum value from your machinery and process output.



Design assistance for customized solutions

Habasit believes in building partnerships with our customers. Our engineering team will work closely with your engineers on joint design developments from initial design to final implementation. This expert service can be invaluable for projects involving new technologies or large-scale modifications and adaptations.

Information provided herein does not constitute legal representations or warranties and may change without notice. Please refer to the specifications/disclaimers provided in the respective product data sheets.

For further information choose country selection Habasit Worldwide on:

www.habasit.com

Habasit International AG

CH-4153 Reinach-Basel
Phone: +41 61 715 15 15
Fax: +41 61 715 15 55

Copyright Habasit AG
Subject to alterations

4468FLY.ACC-en0220HOR